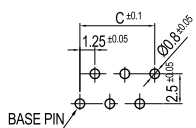
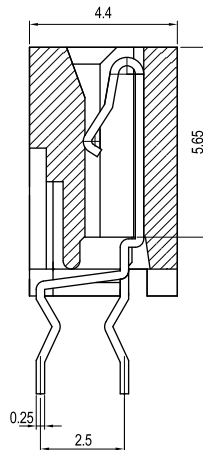
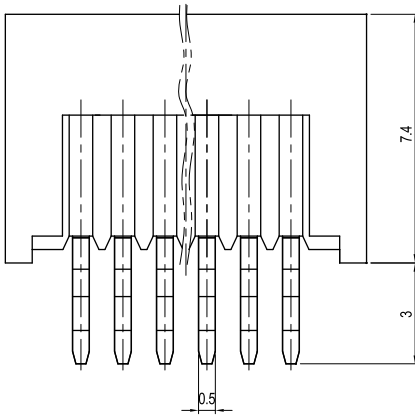
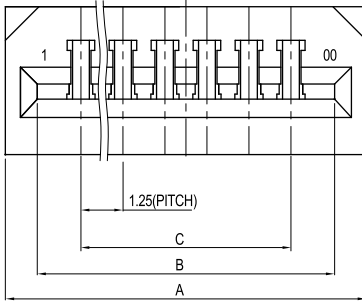
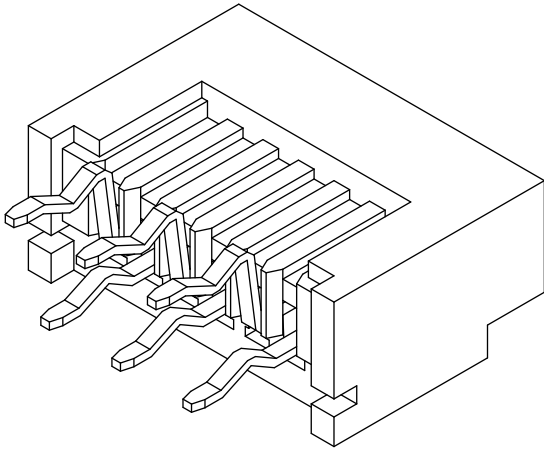


# 1.25mm (0.049") PITCH CONNECTOR

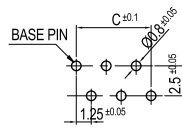


FPC/FFC Connector  
Housing

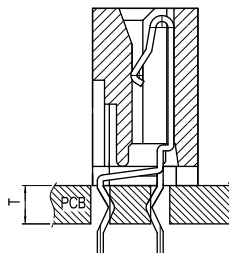
**12511HS Series**  
**DIP, NON-ZIF(Vertical Through Hole)**  
**Straight**



P.C.B. LAY-OUT(A-TYPE)

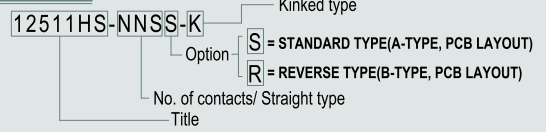


P.C.B. LAY-OUT(B-TYPE)



PCB ASS'Y

**PARTS NO.**



**Material**

| I/NO | DESCRIPTION | TITLE   | MATERIAL                     |
|------|-------------|---------|------------------------------|
| 1    | HOUSING     | 12511HS | PBT, UL 94V Grade            |
| 2    | TERMINAL    |         | Phosphor Bronze & Tin plated |

**Available Pin**

| PARTS NO.      | A     | B     | C     |
|----------------|-------|-------|-------|
| 12511HS-04SS-K | 8.25  | 6.35  | 3.75  |
| 12511HS-05SS-K | 9.50  | 7.60  | 5.00  |
| 12511HS-06SS-K | 10.75 | 8.85  | 6.25  |
| 12511HS-07SS-K | 12.00 | 10.10 | 7.50  |
| 12511HS-08SS-K | 13.25 | 11.35 | 8.75  |
| 12511HS-09SS-K | 14.50 | 12.60 | 10.00 |
| 12511HS-10SS-K | 15.75 | 13.85 | 11.25 |
| 12511HS-11SS-K | 17.00 | 15.10 | 12.50 |
| 12511HS-12SS-K | 18.25 | 16.35 | 13.75 |
| 12511HS-13SS-K | 19.50 | 17.60 | 15.00 |
| 12511HS-14SS-K | 20.75 | 18.85 | 16.25 |
| 12511HS-15SS-K | 22.00 | 20.10 | 17.50 |
| 12511HS-16SS-K | 23.25 | 21.35 | 18.75 |
| 12511HS-17SS-K | 24.50 | 22.60 | 20.00 |
| 12511HS-18SS-K | 25.75 | 23.85 | 21.25 |
| 12511HS-19SS-K | 27.00 | 25.10 | 22.50 |
| 12511HS-20SS-K | 28.25 | 26.35 | 23.75 |
| 12511HS-21SS-K | 29.50 | 27.60 | 25.00 |
| 12511HS-22SS-K | 30.75 | 28.85 | 26.25 |
| 12511HS-23SS-K | 32.00 | 30.10 | 27.50 |
| 12511HS-24SS-K | 33.25 | 31.35 | 28.75 |
| 12511HS-25SS-K | 34.50 | 32.60 | 30.00 |
| 12511HS-26SS-K | 35.75 | 33.85 | 31.25 |
| 12511HS-27SS-K | 37.00 | 35.10 | 32.50 |
| 12511HS-28SS-K | 38.25 | 36.35 | 33.75 |
| 12511HS-29SS-K | 39.50 | 37.60 | 35.00 |
| 12511HS-30SS-K | 40.75 | 38.85 | 36.25 |
| 12511HS-31SS-K | 42.00 | 40.10 | 37.50 |
| 12511HS-32SS-K | 43.25 | 41.35 | 38.75 |
| 12511HS-33SS-K | 44.50 | 42.60 | 40.00 |
| 12511HS-34SS-K | 45.75 | 43.85 | 41.25 |
| 12511HS-35SS-K | 47.00 | 45.10 | 42.50 |
| 12511HS-36SS-K | 48.25 | 46.35 | 43.75 |
| 12511HS-37SS-K | 49.50 | 47.60 | 45.00 |
| 12511HS-38SS-K | 50.75 | 48.85 | 46.25 |
| 12511HS-39SS-K | 52.00 | 50.10 | 47.50 |
| 12511HS-40SS-K | 53.25 | 51.35 | 48.75 |

**Specification**

| ITEM                   | SPEC          |
|------------------------|---------------|
| Voltage Rating         | AC/DC 250V    |
| Current Rating         | AC/DC 1A      |
| Operating Temperature  | -25°C ~ +85°C |
| Contact Resistance     | 30mΩ MAX      |
| Withstanding Voltage   | AC500V/1min   |
| Insulation Resistance  | 500MΩ MIN     |
| Applicable Wire        | -             |
| Applicable P.C.B       | 1.2 ~ 1.6mm   |
| Applicable FPC/FFC     | 0.30±0.05mm   |
| Solder Height          | -             |
| Crimp Tensile Strength | -             |
| UL FILE NO             | -             |